

IB IL 24 DO 2-2A-PAC

Order No.: 2861263



<http://eshop.phoenixcontact.de/phoenix/treeViewClick.do?UID=2861263>

Inline digital output terminal block, complete with accessories (connector and labeling field), 2 outputs, 24 V DC, 2 A, 4-wire connection system



Commercial data	
EAN	4017918894207
Pack	1 Pcs.
Customs tariff	85389091
Weight/Piece	0.0824 KG
Catalog page information	Page 67 (AX-2007)

Product notes

WEEE/RoHS-compliant since:
10/04/2006



<http://www.download.phoenixcontact.com>
Please note that the data given here has been taken from the online catalog. For comprehensive information and data, please refer to the user documentation. The General Terms and Conditions of Use apply to Internet downloads.

Technical data

Interface	
Name	Local bus
Type of connection	Inline data jumper
Transmission rate	500 kBaud

Digital outputs

Output name	Digital outputs
Type of connection	Spring-cage connection
Connection system	2, 3, 4-wire
Number of outputs	2
Maximum output current per channel	2 A
Protective circuitry	Overload protection, short circuit protection of outputs
Output voltage	24 V ($U_s - 1$ V)
Nominal output voltage	24 V DC (voltage difference at $I_{nom} \leq 1$ V)
Maximum output current per module	4 A
Maximum output current per channel	2 A
Nominal load, inductive	48 W
Nominal load, lamp	48 W
Nominal load, ohmic	48 VA

Power supply for module electronics

Supply voltage	24 V DC (via voltage jumper)
Range of supply voltages	19.2 V DC ... 30 V DC
Communications voltage U_L	7.5 V (via voltage jumper)
Current consumption	Max. 35 mA (from the local bus)

General data

Weight	46 g
Note on weight specifications	Without plug
Ambient temperature (operation)	-25 °C ... 55 °C
Ambient temperature (storage/transport)	-25 °C ... 85 °C
Permissible humidity (operation)	10 % ... 95 % (According to DIN EN 61131-2)
Permissible humidity (storage/transport)	10 % ... 95 % (According to DIN EN 61131-2)
Air pressure (operation)	70 kPa ... 106 kPa (up to 3000 m above sea level)
Air pressure (storage/transport)	70 kPa ... 106 kPa (up to 3000 m above sea level)
Degree of protection	IP20
Class of protection	III, IEC 61140

Test section	5 V supply, incoming remote bus/7.5 V supply (bus logics) 500 V AC 50 Hz 1 min
	5 V supply, outgoing remote bus/7.5 V supply (bus logics) 500 V AC 50 Hz 1 min
	7.5 V supply (bus logics)/24 V supply (I/O) 500 V AC 50 Hz 1 min
	24 V supply (I/O) / functional earth ground 500 V AC 50 Hz 1 min
Diagnostics messages	Short circuit / overload of the digital outputs Error message in the diagnostic code (bus) and display (2 Hz) via the LED (D) on the module
Mounting type	DIN rail

Inline potential routing

Communications voltage U_L	7.5 V DC
Current consumption from U_L	Max. 35 mA
Supply for main circuit U_M	24 V DC
Segment power supply voltage U_S	24 V DC (nominal value)
Current consumption from U_S	Max. 4 A

Certificates / Approvals

Approval logo



requested approbations

Certification	CUL, GOST, TUEV-N, UL
Certification Ex:	CUL-EX LIS, PxC-EX, UL-EX LIS

Accessories

Item	Designation	Description
Literature		
2745554	IB IL SYS PRO UM	User Manual, German, for configuring and installing the INTERBUS Inline product range
Marking		
0809492	ESL 62X10	Insert strip for laser printer, lettering field: 62 x 10 mm
0809502	ESL 62X46	Insert strip for laser printer, lettering field: 62 x 46 mm
2727501	IB IL FIELD 2	Labeling field, width: 12.2 mm

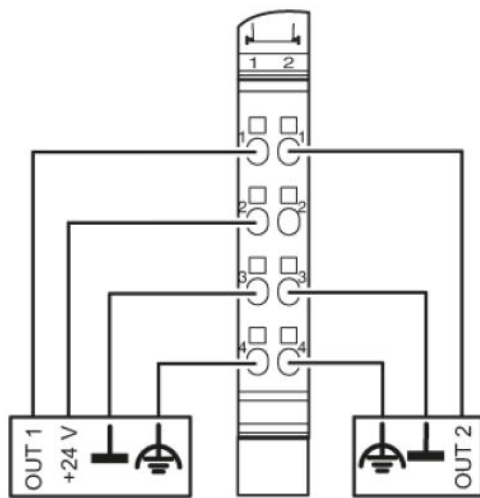
2727515	IB IL FIELD 8	Labeling field, width: 48,8 mm
---------	---------------	--------------------------------

Plug/Adapter

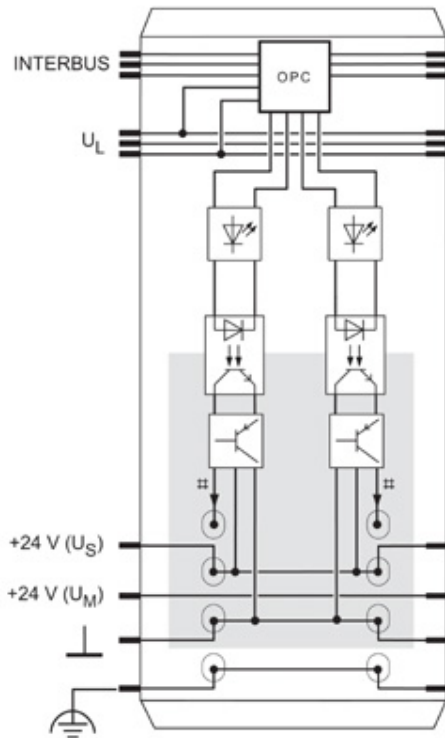
2726337	IB IL SCN-8	Connector, for digital 1, 2 or 8-channel Inline terminals
2727608	IB IL SCN-8-CP	Inline connector, colored

Drawings

Connection diagram



Block diagram



Dimensioned drawing

